

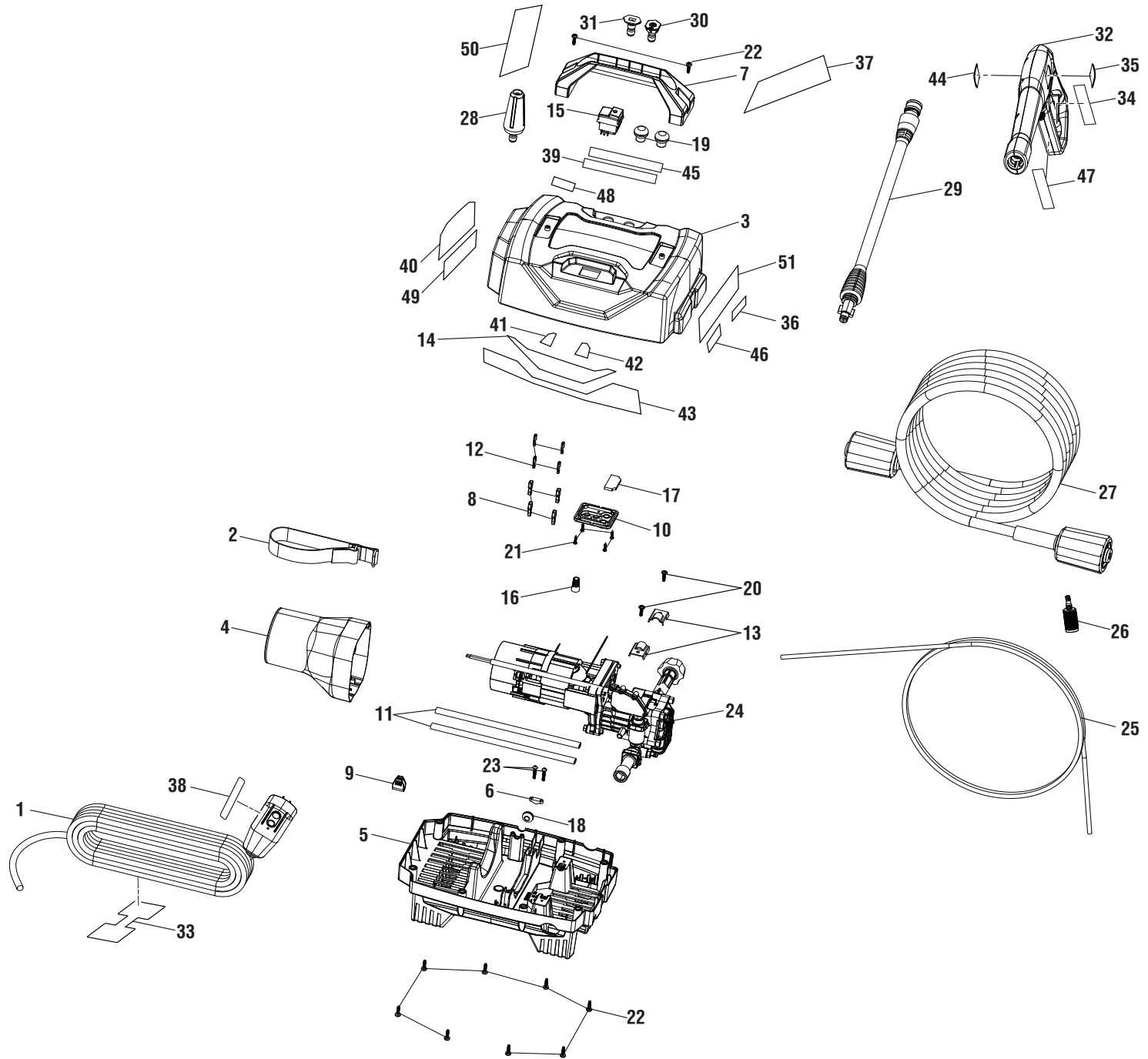
**RYOBI**  
**Pressure Washer**  
**Manufacturing No. 095079442**  
**Item No. RY141820VNM**  
**Replacement Parts List**

**Techtronic Industries Power Equipment**

P.O. Box 1288  
Anderson, SC 29622  
Phone 1-800-860-4050  
[www.ryobitools.com](http://www.ryobitools.com)

RYOBI PRESSURE WASHER – ITEM NO. RY141820VNM

FIGURE A



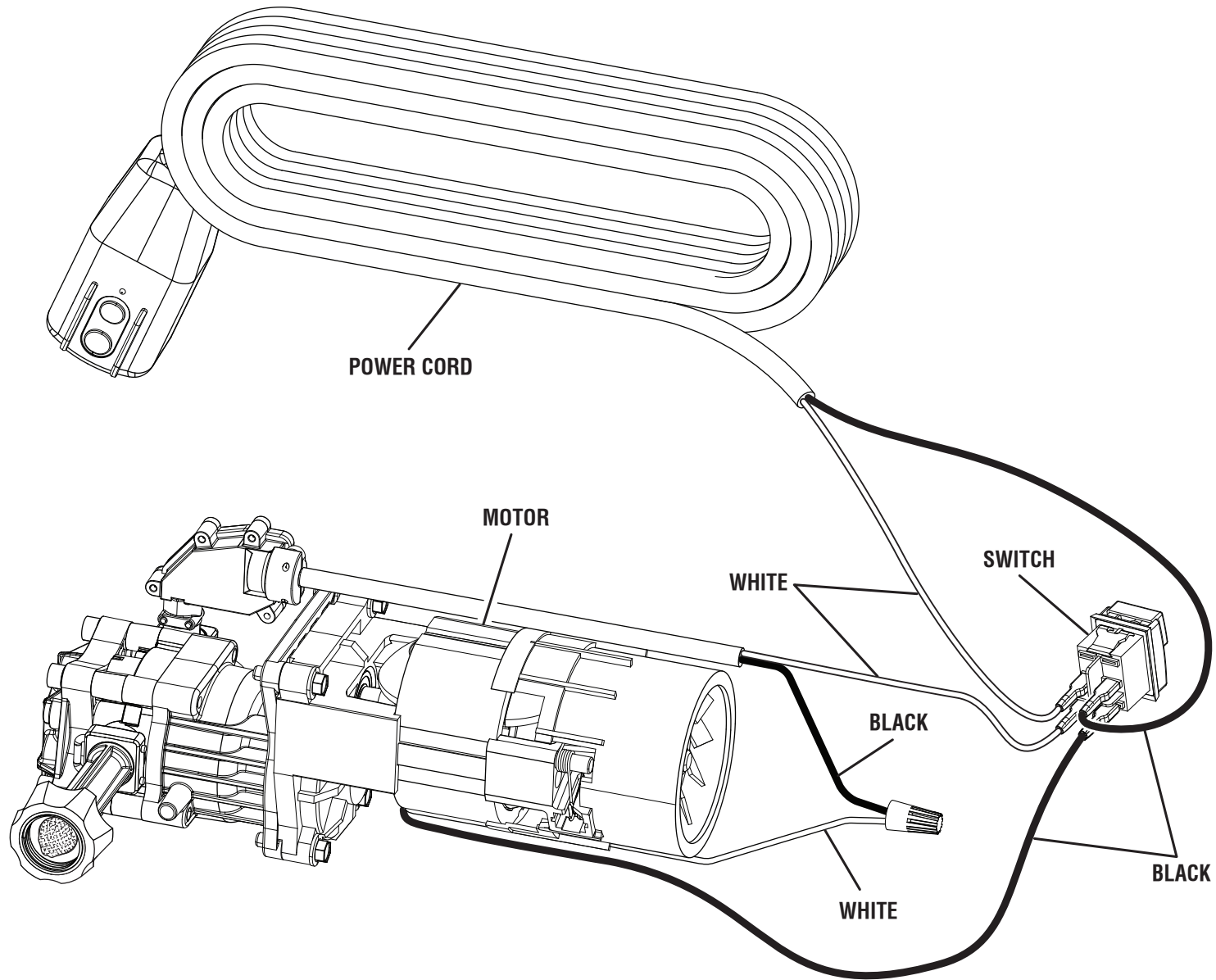
## RYOBI PRESSURE WASHER – ITEM NO. RY141820VNM

The model number will be found on a plate attached to pump housing. Always mention the model number in all correspondence regarding your **PRESSURE WASHER** or when ordering replacement parts.

### FIGURE A PARTS LIST

KEY NO.	PART NUMBER	DESCRIPTION	QTY	KEY NO.	PART NUMBER	DESCRIPTION	QTY
1	290426022	Power Cord w/GFCI Assembly .....	1	29	308494075	Spray Wand .....	1
2	310801001	Velcro Strap.....	1	30	308698023	15° Nozzle.....	1
3	522032051	Upper Housing.....	1	31	308706013	Soap Nozzle.....	1
4	522038007	Air Guide for Brush Motor.....	1	32	308760071	Trigger Handle.....	1
5	522038031	Lower Housing.....	1	33	940324013	Cord Wrap Label.....	1
6	522051003	Cord Clamp.....	1	34	940324024	Trigger Handle Warning Label (FR/SP) .....	1
7	527648010	Handle.....	1	35	940324040	Trigger Handle Warning Label.....	1
8	527784005	Sleeve Terminal .....	4	36	940325001	Inspector Label .....	1
9	528499001	Cord Clip.....	1	37	940473008	Warning/Notice Hangtag .....	1
10	536489001	Switch Cover.....	1	38	940603006	Cord Plug Label .....	1
11	570113003	Thermal Sleeve .....	2	39	941027012	Quick Start Label .....	1
12	630236004	Terminal.....	4	40	941027017	Regulatory Danger Label .....	1
13	636204001	Motor Clamp Plate.....	2	41	941027013	Off Label.....	1
14	941027015	Logo Label .....	1	42	941027014	On Label.....	1
15	760504007	Main Switch .....	1	43	940851521	Performance Label.....	1
16	870601001	Wire Nut .....	1	44	940786053	Trigger Logo Label .....	1
17	980414038	Foam Cover .....	1	45	941027011	Nozzle Selection Label.....	1
18	561383025	Housing Grommet.....	1	46	940786062	Soap Tube Label .....	1
19	561383021	Nozzle Grommet .....	2	47	940904013	Trigger Handle Rating Label.....	1
20	661403014	Screw (M4.2 x 16 mm, Pan Washer Hd.).....	2	48	941486008	Inquiries Label.....	1
21	661403015	Screw (M2.9 x 14 mm, Pan Hd.).....	4	49	941588526	Data Label.....	1
22	661403016	Screw (M4.2 x 15 mm, Pan Hd.) .....	10	50	961039007	Nozzle Hangtag.....	1
23	661610008	Screw (M3.5 x 20 mm, Pan Hd.).....	2	51	940707038	Danger Icon Label (EN/FR) .....	1
24	308833064	Pump and Motor Assembly .....	1	<b>Not Shown:</b>			
25	561399003	Soap Tank Hose.....	1	995000940	Operator's Manual		
26	308103015	Soap Hose Filter .....	1	995000941	Quick Reference Guide		
27	308835074	High Pressure Hose (25 ft.).....	1				
28	308311032	Turbo Nozzle .....	1				

**NOTE A:** Techtronic Industries Power Equipment, Inc. will not provide a complete motor/pump as a replacement part. Contact our service department for assistance.



WIRING DIAGRAM